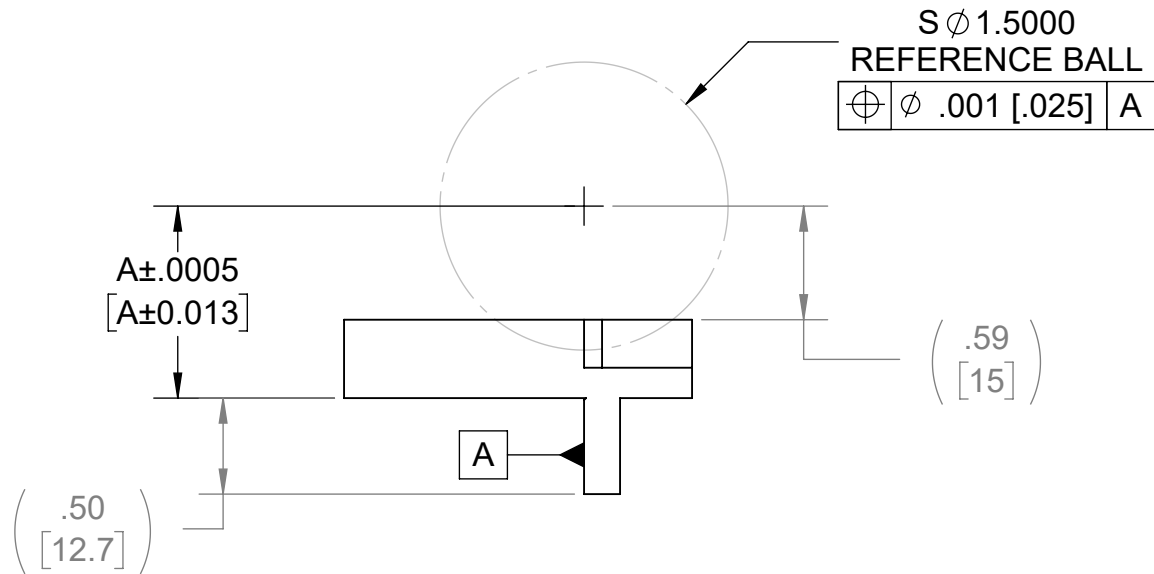
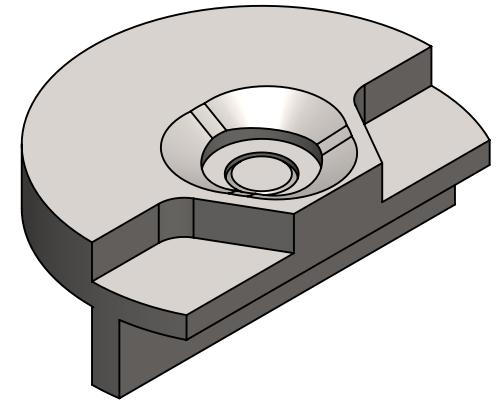
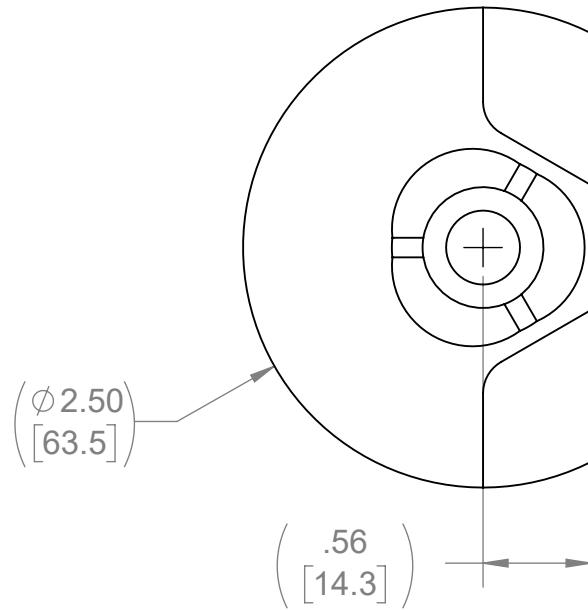


Item Number Format: 1.5THLE-"A"

Standard Items: 1.5THLE-1
1.5THLE-25MM



DIMENSIONS:
INCH X.XX
MM [X.XX]
REFERENCE (X.XX)



Brunson Instrument Company
8000 E. 23rd Street
Kansas City, MO 64129

Tel: 800-445-9405
Fax: 816-241-1945
Email: Sales@Brunson.us

TITLE: 1.5THLE SERIES LARGE EDGE ADAPTER

MATERIAL: STAINLESS STEEL

HARDNESS: HRC 42-45

FINISH: MACHINED

WEIGHT (ESTIMATED)

0.4 LBS

SIZE

A

DATE: 1/13/2014

SCALE: 1:1

PROPRIETARY AND CONFIDENTIAL
THE INFORMATION CONTAINED IN THIS
DRAWING IS THE SOLE PROPERTY OF BRUNSON
INSTRUMENT COMPANY. ANY REPRODUCTION
IN PART OR AS A WHOLE WITHOUT THE
WRITTEN PERMISSION OF BRUNSON
INSTRUMENT COMPANY IS PROHIBITED.