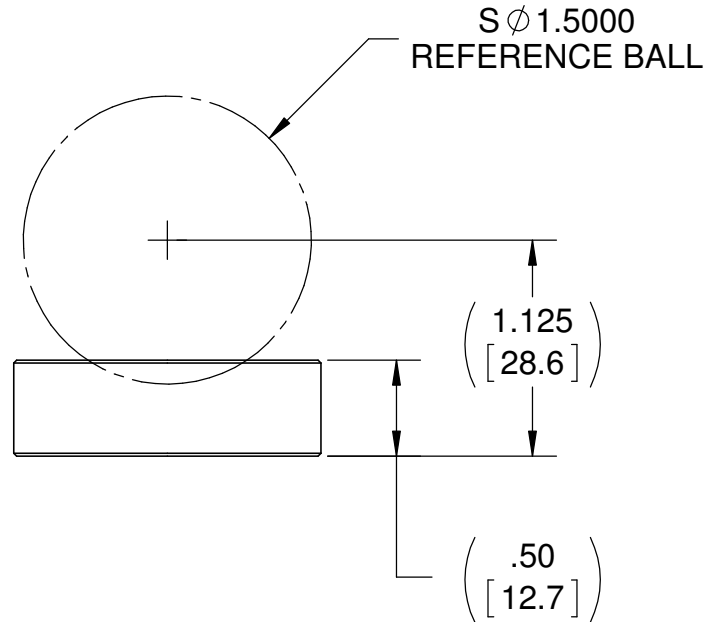
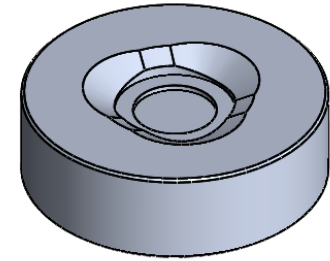
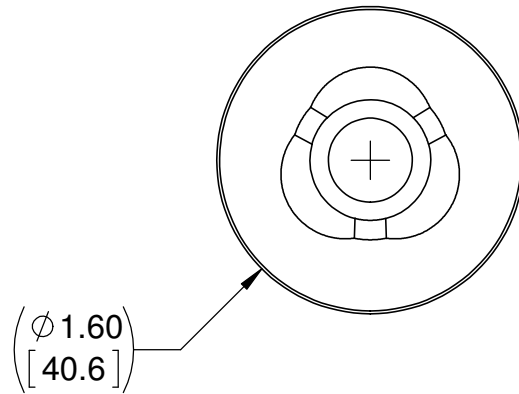


Item Number: 1.5THEDN



DIMENSIONS:

INCH X.XX
MM [X.XX]
REFERENCE (X.XX)

PROPRIETARY AND CONFIDENTIAL
THE INFORMATION CONTAINED IN THIS DRAWING IS THE SOLE PROPERTY OF BRUNSON INSTRUMENT COMPANY. ANY REPRODUCTION IN PART OR AS A WHOLE WITHOUT THE WRITTEN PERMISSION OF BRUNSON INSTRUMENT COMPANY IS PROHIBITED.



Brunson Instrument Company
8000 E. 23rd Street
Kansas City, MO 64129

Tel: 800-445-9405
Fax: 816-241-1945
Email: Sales@Brunson.us

TITLE: 1.5THEDN ECONOMY DRIFT NEST

MATERIAL: ALUMINUM

HARDNESS: NOT HEAT TREATED

FINISH: NONE

WEIGHT (ESTIMATED)

0.090 LBS

SIZE
A

DATE: 1/10/2014

SCALE: 1:1