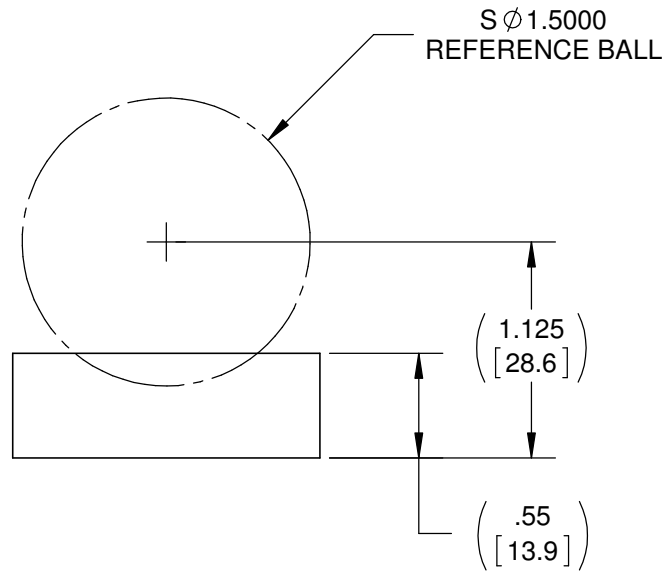
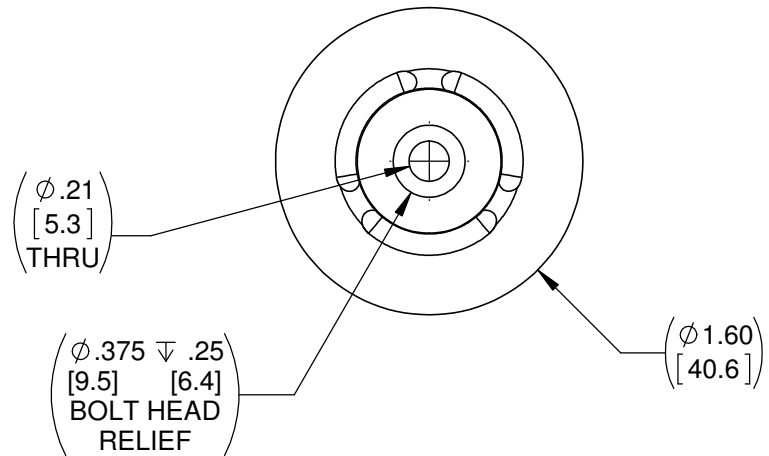
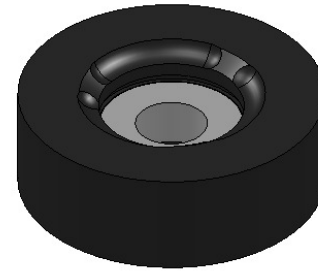


Item Number: 1.5THDN-B



DIMENSIONS:

INCH X.XX
MM [X.XX]
REFERENCE (X.XX)

PROPRIETARY AND CONFIDENTIAL
THE INFORMATION CONTAINED IN THIS DRAWING IS THE SOLE PROPERTY OF BRUNSON INSTRUMENT COMPANY. ANY REPRODUCTION IN PART OR AS A WHOLE WITHOUT THE WRITTEN PERMISSION OF BRUNSON INSTRUMENT COMPANY IS PROHIBITED.



Brunson Instrument Company
8000 E. 23rd Street
Kansas City, MO 64129

Tel: 800-445-9405
Fax: 816-241-1945
Email: Sales@Brunson.us

TITLE: 1.5THDN-B DRIFT NEST WITH BOLT HOLE

MATERIAL: ALUMINUM

HARDNESS: NOT HEAT TREATED

FINISH: BLACK ANODIZE

WEIGHT (ESTIMATED)

0.094 LBS

SIZE

A

DATE: 4/8/2014

SCALE: 3:2